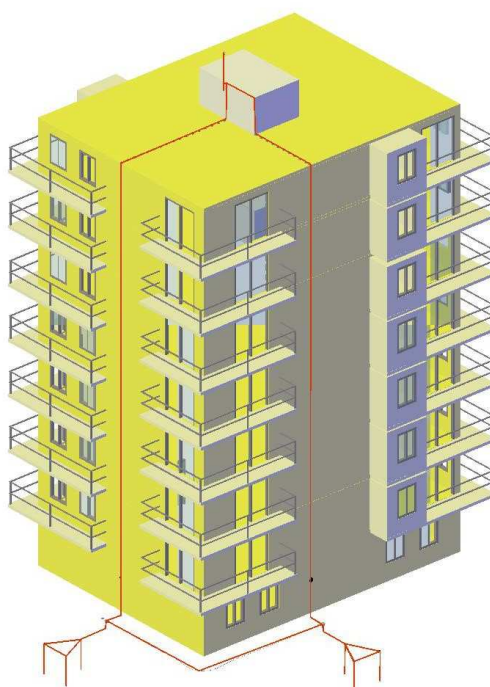


French Quality
World Wide Efficiency



Kit building



LPS FRANCE – GROUPE CEMASO SAS 3 RUE DU GOLF – 33700 MERIGNAC	Kit building h < 60	V1.1
	KITIMM60	1/8
<i>info@lpsfr.com</i>	ExWork	Standard NF C17-102:2011

Caractéristiques

- The level of protection chosen for this kind of structure is level I.
- This kit is for apartment building, hotel, office.
- To specific structure, such as hospitals, nursing home... please contact us, a complementary study will be necessary.
- The quantities below are valid for structures with a maximum height of 60 meters.
- The structure dimension should be max. : 20x20 meters.
- For the freight quotation, thank you to contact us at : **info@lpsfr.com** please precise the delivery address and the reference : KITBUIL60
- For optimal protection, a surge arrester type 1 should be installed into the panel of the general power supply to ensure the protection of the sensitive equipment supplied. (Quotation on request).
- Colisage Kit :
1/2 palette 60x80x50cms
1 tube ø12x210cms
Total weight : 165kgs

LPS FRANCE – GROUPE CEMASO SAS 3 RUE DU GOLF – 33700 MERIGNAC	Kit building h < 60	V1.1
	KITIMM60	2/8
<i>info@lpsfr.com</i>	ExWork	Standard NF C17-102:2011

Quantitative table accessoires

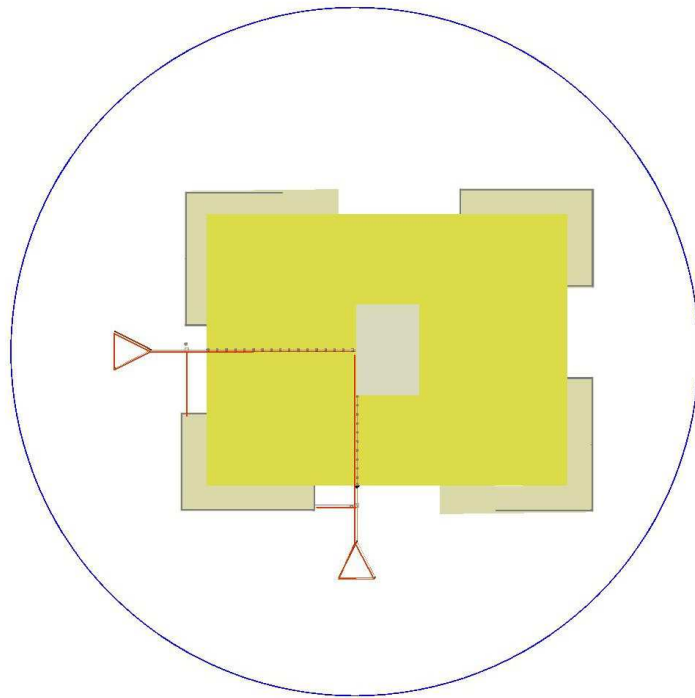
Nomenclature	Reference	Product code	Designation
1	10007	E13 NL	Ellips 1.3
2	10012	RAPC02	Connection lightning rod
3	11121	MATI-E1	Mast first element
4	11221	MATIE-E2	Mast second element
5	43403	ED-COLBI	Collar clamp
6	11521	DPG-FIXH2	Offset fixing mast
7	43101	PLOBET-P1	Plots béton
8	22041	COND-PCE60	Conduct 30x2mm
9	43108	CLIP-PLA	Clip inox
10	43603	ED-CMPT	Lightning strike counter
11	43604	ED-JC01	Cut off control joint
12	43605	ED-GP01	Protection sheath
13	43616	ET-REGP	Inspection pit
14	43500	RAC-CU	Mechanical connection in copper
15	34348	COS-P01	Connection clamp
16	34146	PIQNA-1620	Ground rod

LPS FRANCE – GROUPE CEMASO SAS 3 RUE DU GOLF – 33700 MERIGNAC	Kit building h < 60	V1.1
	KITIMM60	3/8
<i>info@lpsfr.com</i>	ExWork	Standard NF C17-102:2011

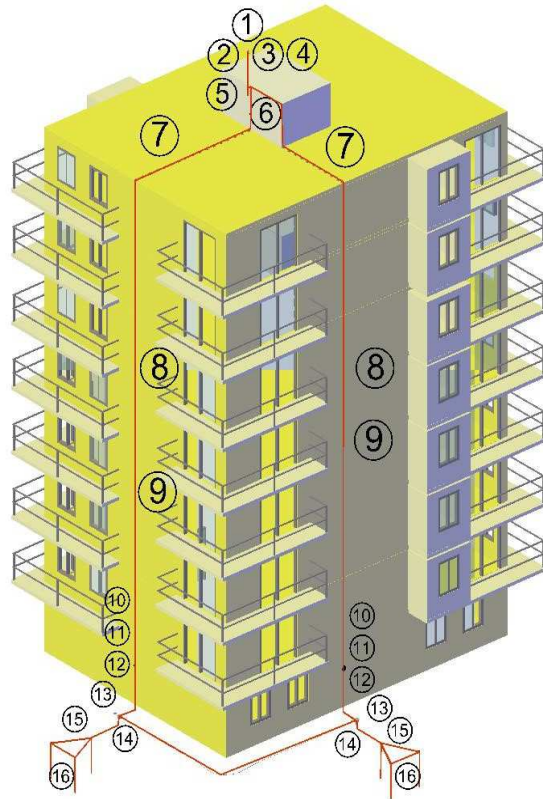
SCHEMATIC DIAGRAM

LPS FRANCE - GROUPE CEMASO SAS 3 RUE DU GOLF - 33700 MERIGNAC	Kit building h < 60	V1.1
	KITIMM60	4/8
<i>info@lpsfr.com</i>	ExWork	Standard NF C17-102:2011

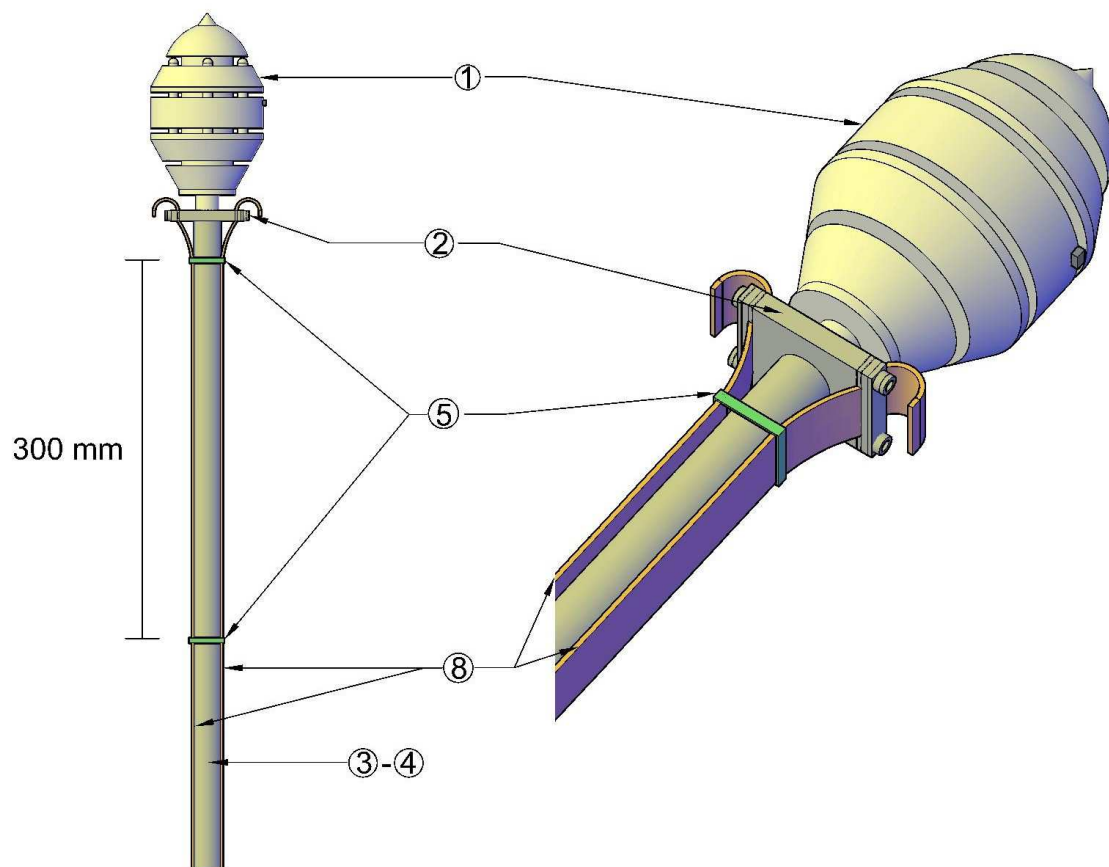
Protection radius : 48 meters



LPS FRANCE - GROUPE CEMASO SAS 3 RUE DU GOLF - 33700 MERIGNAC	Kit building h < 60	V1.1
	KITIMM60	5/8
<i>info@lpsfr.com</i>	ExWork	Standard NF C17-102:2011



LPS FRANCE - GROUPE CEMASO SAS 3 RUE DU GOLF - 33700 MERIGNAC	Kit building h < 60	V1.1
	KITIMM60	6/8
<i>info@lpsfr.com</i>	ExWork	Standard NF C17-102:2011



LPS FRANCE - GROUPE CEMASO SAS 3 RUE DU GOLF - 33700 MERIGNAC	Kit building h < 60	V1.1
	KITIMM60	7/8
<i>info@lpsfr.com</i>	ExWork	Standard NF C17-102:2011



www.lpsfr.com

LPS FRANCE - GROUPE CEMASO SAS 3 RUE DU GOLF - 33700 MERIGNAC	Kit building h < 60	V1.1
	KITIMM60	8/8
info@lpsfr.com	ExWork	Standard NF C17-102:2011