

PARATON@IR_{SS}60

EARLY STREAMER EMITTER (ESE)



French Quality
World Wide Efficiency



Study – Prevention – Protection – Lightning

Paraton@ir[®] SS60

Δt : 60 μs

Net weight

3,90 kg

Packaging:

260x180x110 mm

210 mm



99mm



Antique



Ruby



Onyx



Natural



Amber



Opal



Topaz



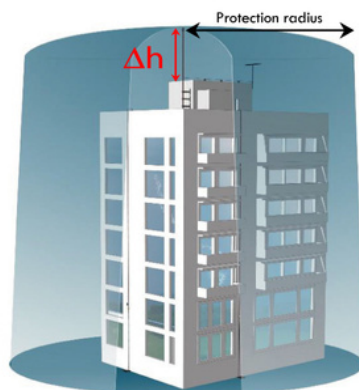
Emerald

Colour has no influence on operation

LIFETIME WARRANTY*

* Contact@ir system needed see our Terms and Conditions

Protection radius

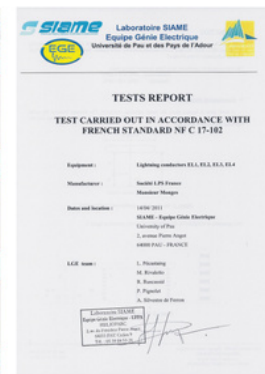


Protection radius in meters (m)

Protection levels

	I	II	III	IV
2	31	35	39	43
3	47	52	58	64
4	63	69	78	85
5	79	86	97	107
10	79	88	99	109
20	80	89	102	113
60	80	90	104	120

In compliance with NFC 17-102 standard – Interpretation 007 April 2011. Datas validated by laboratory tests.



Communication option

REMINDER

An outside protection against lightning with a lightning rod must be checked every year and after each lightning strike to ensure its good working order. Source NFC 17-102 – September 2011.



To comply with this requirement :

A **Contact@ir[®]** emitter can be optionally fitted at any time on **Paraton@ir[®] SS60** as on any lightning rod of the range.

Then the **Contact@ir[®]** emitter permanently communicates the operating status as well as its communication reliability.

Used with the **Rout@ir[®]** option, it transmits an in-real-time warning when a lightning strike is picked up by **Paraton@ir[®] SS** and the lightning strike level.





PARATON@IR_{SS}60

Main Characteristics

Conformity to the standard	NF C17-102:2011 (60 μ s - 100kA/250kA) IEC 62305-3 - IEC 62561 - IEC 60060-1
Triggering system (ESE technology)	Form and materials effects (no electronics components) Positive and negative strikes
Materials	Stainless Steel 316L : Main body, grounding axis and capture tip Specific Aluminium alloy + Special polymer : Central Inductive System
Weight	3,90 kg The choice of lightweight materials avoids danger during handle and installation installation 6 meters height without guywires
Warranty	15 years
Counterfeiting	Authenticity guaranteed thanks to exclusive double authentication
Remote monitoring	Conditions and strikes alerts with our exclusive Contact@ir system architecture
Repair	Repair Possible

Entirely Designed & Made in France

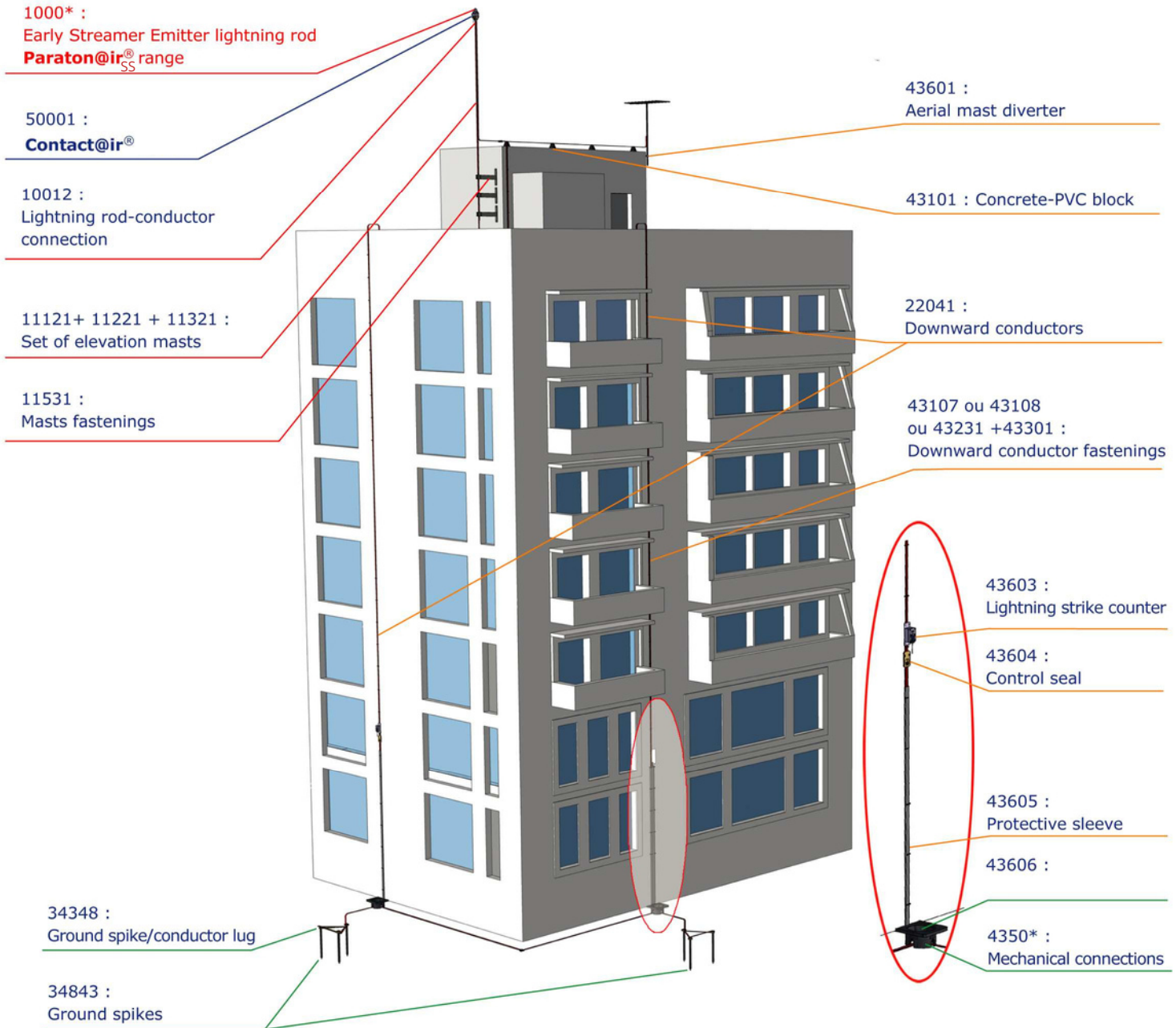
Paraton@ir could be recycled at 99,99 %, Packaging can be recycled at 100%



Study – Prevention – Protection – Lightning

Example of intallation

The layout below proposes an example of protection against lightning system installation, with our products and accessories compliant with the standards in force (NFC 17-102, IEC 62-305...).



The composition and intallation of a protection against lightning system depends on multiple factors including in particular the characteristics of building(s) to be protected and their environment.

To meet the requirements of the NFC 17-102 standard and provide you with an efficient protection, each installation must be the object of a preliminary study.

Our distributors and installers are proficient in this study and shall thus bring you the necessary conditions to ensure your security and the preservation of your warranty.

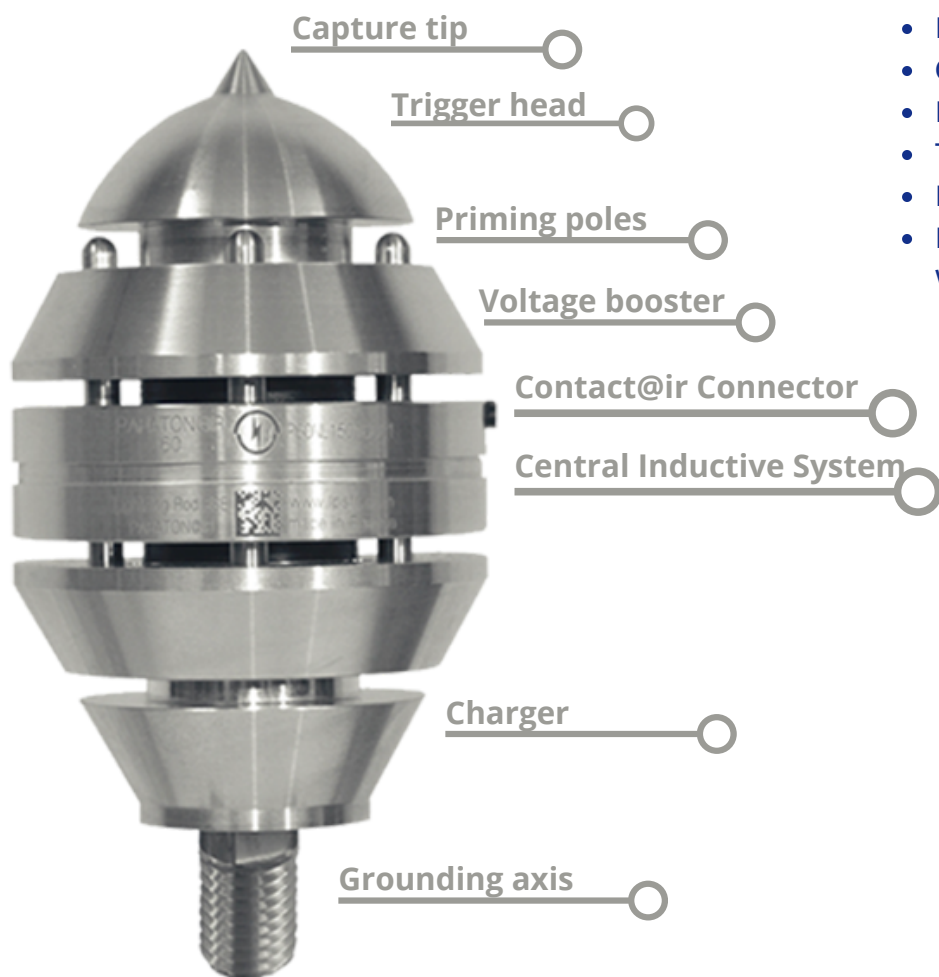


PARATON@IR_{SS}60

Contact@ir-MD

Receive information remotely on
Desktops and Smartphones

- Condition of the device
- Lightning strike alert
- Electric strike measure
- Counting
- Electric battery charge
- Temperature of the system
- Location
- LPS Manager application (IOS, Android, Windows 7+, Mac M1+)



Paraton@ir_{SS}60 + Contact@ir-MD

LPS Manager

Mobile Application

Management of lightning protection installations





www.lpsfr.com

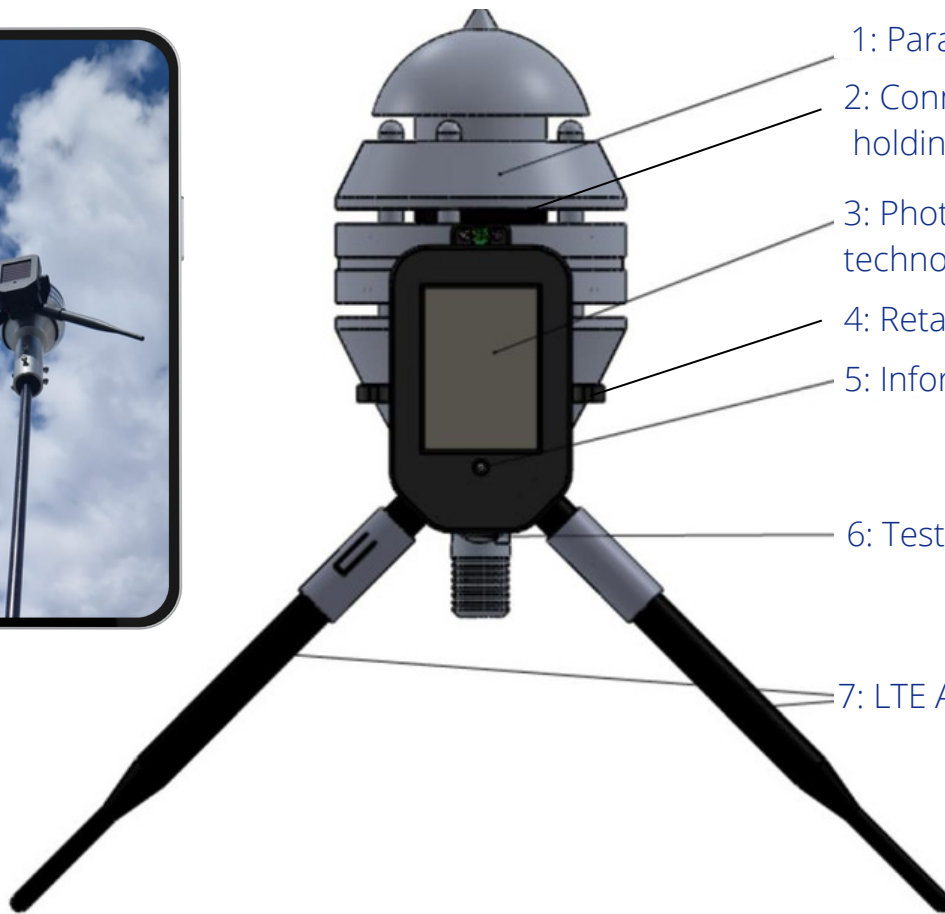
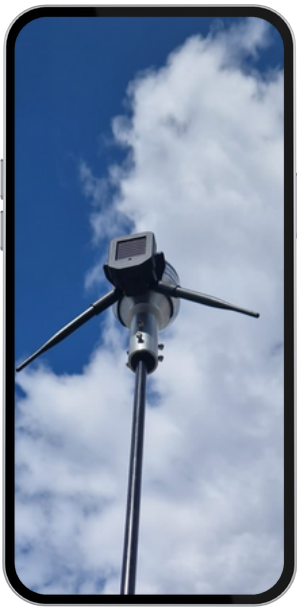
PARATON@IR_{SS}60

Contact@ir-MD

Contact@ir MD is equipped with an international SIM card

4G LTE	3G UMTS/HSDPA/HSUPA	2G GSM/GPRS/EDGE
Long Term Evolution (LTE) Evolved UTRA (E-UTRA) Frequency/Time Division Duplex (FDD/TDD) DL Rx diversity	High Speed Packet Access (HSPA) UMTS Terrestrial Radio Access (UTRA) Frequency Division Duplex (FDD) DL Rx Diversity	Enhanced Data rate GSM Evolution (EDGE) GSM EGPRS Radio Access (GERA) Time Division Multiple Access (TDMA) DL Advanced Rx Performance Phase 1
LTE Power Class • Power Class 3 (23 dBm)	UMTS/HSDPA/HSUPA Power Class • Class 3 (24 dBm)	GSM/GPRS (GMSK) Power Class • Class 4 (33 dBm) for 850/900 band • Class 1 (30 dBm) for 1800/1900 band EDGE (8-PSK) Power Class • Class E2 (27 dBm) for 850/900 band • Class E2 (26 dBm) for 1800/1900 band
Data rate • LTE category 1: up to 10.3 Mbit/s DL, up to 5.2 Mbit/s UL	Data rate • HSDPA category 8: up to 7.2 Mbit/s DL • HSUPA category 6: up to 5.76 Mbit/s UL	Data rate • GPRS multi-slot class 33 ² , CS1-CS4, up to 107 kbit/s DL, 85.6 kbit/s UL • EDGE multi-slot class 33 ² , MCS1-MCS9, up to 296 kbit/s DL, 236.8 kbit/s UL

GPRS/EDGE/2G, 3G, 4G LTE characteristic summary



- 1: Paraton@ir_{SS}
- 2: Connector Contact@ir-MD with holding screw (x2)
- 3: Photovoltaic panel - Amorphous technology - no orientation needed
- 4: Retaining Tab
- 5: Information light LED
- 6: Test and configuration button
- 7: LTE Antenna (x2)



Lightning Protection Systems France
3 rue du Golf - F-33700 MERIGNAC